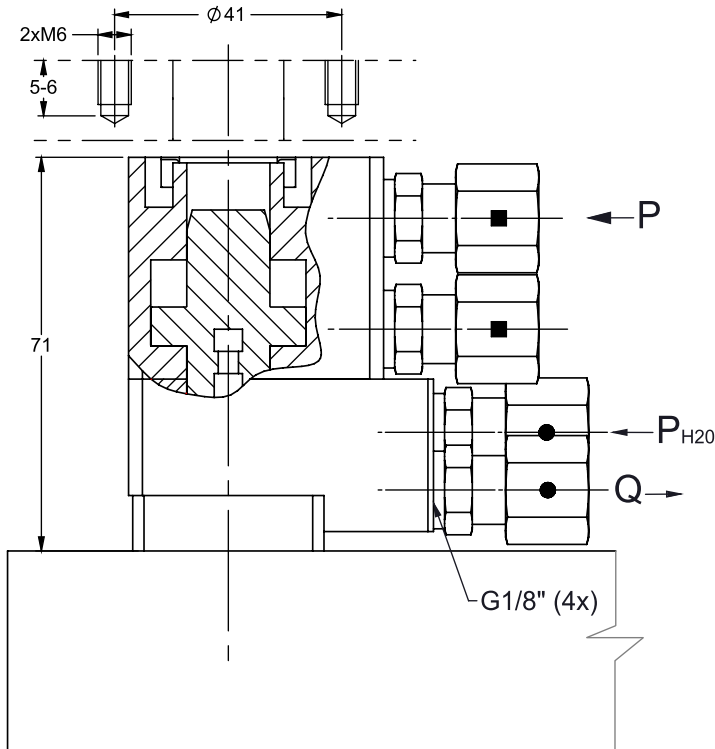
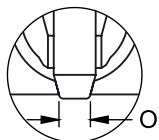
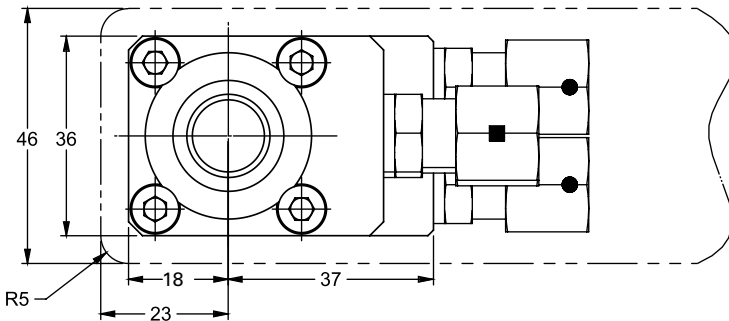
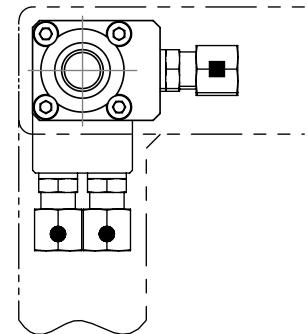
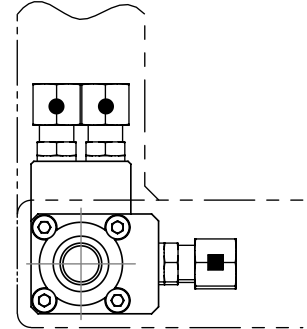
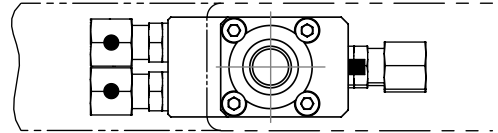


DV5/8/12 HEM



Anschlussversion / Connecting Version
 / Version de Connexion



DV5 HEM

O (mm)	P _{max} (bar)
1,5	15 bar

DV8 HEM

O (mm)	P _{max} (bar)
2,0	25 bar
1,5	20 bar

DV12 HEM

O (mm)	P _{max} (bar)
3,5	60 bar
3,0	50 bar
2,5	40 bar
2,0	30 bar



DV5 HEM

P_{max}=15bar

DV8 HEM

P_{max}=25bar

DV12 HEM

P_{max}=60bar

● = Wasser / Water / Eau

■ = Öl / Oil / Huile

PH₂₀ max=10bar
 Temp. 10° - 50° C

Q_{min}=V=4 L/min.
 Max. 4 cooling units in line