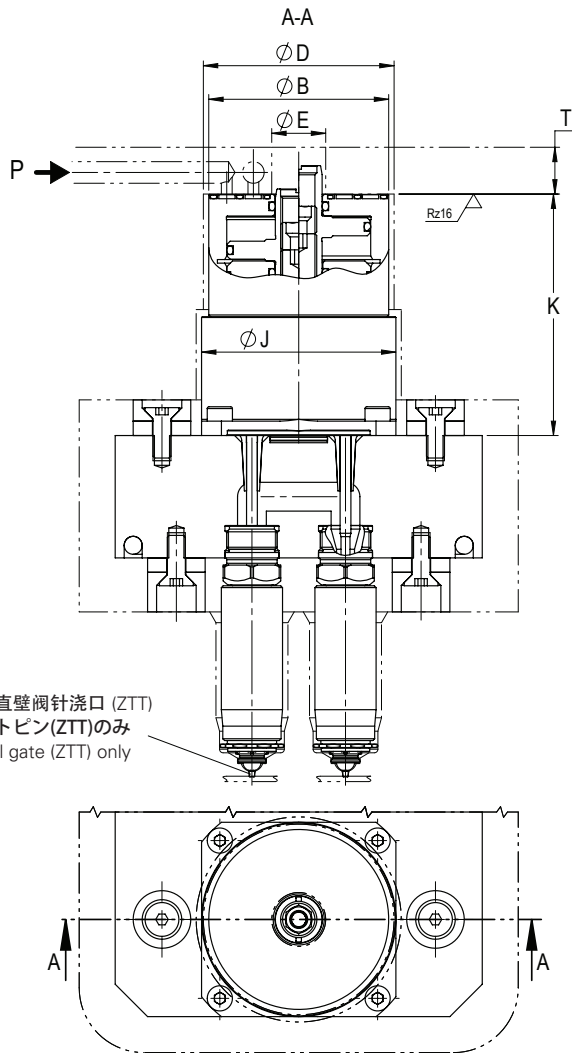
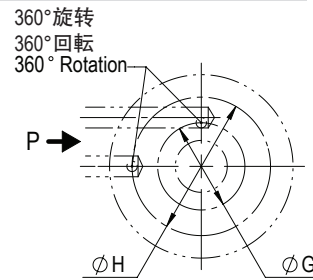


MultiPin

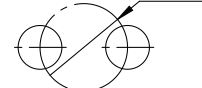


仅适用于直壁阀针浇口 (ZTT)
ストレートピン(ZTT)のみ
Cylindrical gate (ZTT) only

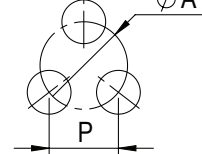


喷嘴数量
ノズル数
Number of Nozzles

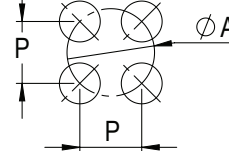
N = 2 ϕA



N = 3 ϕA



N = 4 ϕA



仅适用于PS, SB, PP, PE-EDPM及SEBS
PS, SB, PP, PE-EDPM, SEBS のみ
For PS, SB, PP, PE, PE-EDPM, SEBS only

		N = 2	N = 3	N = 4
DF 5 + PE 5/8	ϕA min ¹⁾ - max	(25) - 40		
DF 5 + PE 12	ϕA min ¹⁾ - max	(25) - 63	(35) - 63	(35) - 63
	P min ¹⁾ - max	-	(30,31) - 54,56	(24,75) - 44,55
DF 8 + PE 12	ϕA min - max	(27,5) - 63	(43) - 63	(43) - 63
	P min ¹⁾ - max	-	(37,24) - 54,56	(30,41) - 44,55

1) 符合设计标准的最小值
1) 参考としてのミニマム数値
1) Minimum values given as a baseline only

Unit	ϕB	ϕD	ϕE	ϕG	ϕH	ϕJ	K	T	P unit (bar)
PE 5/8	50	53	15	25,2	40,0	54	67	9	10-12
PE 12	80	84	24	41,0	64,5	80	76	12	10-12

最终的选择需与INCOE的应用工程部进行确认。

最終選定はINCOE技術部門にて確認

A review with INCOE's Application Engineering Dept. is required for final selection.