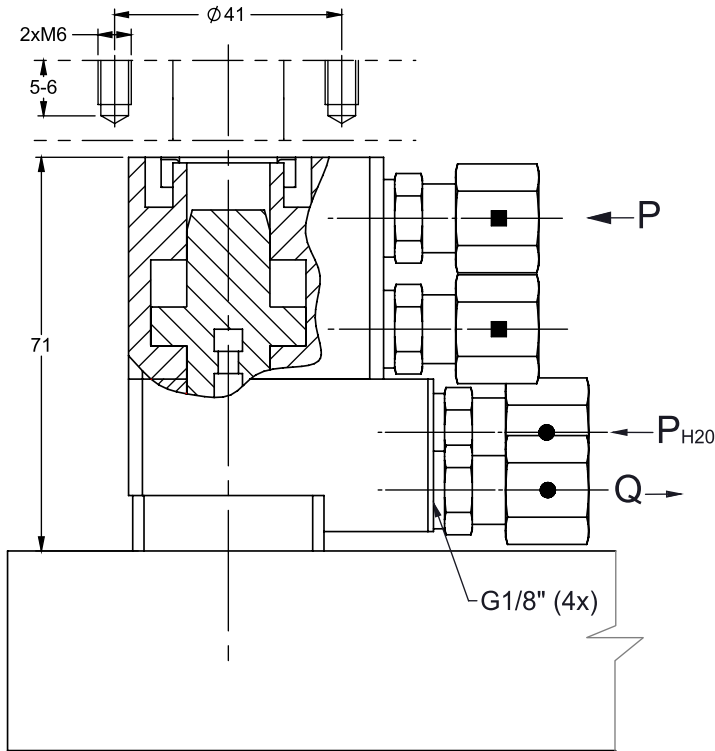
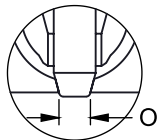
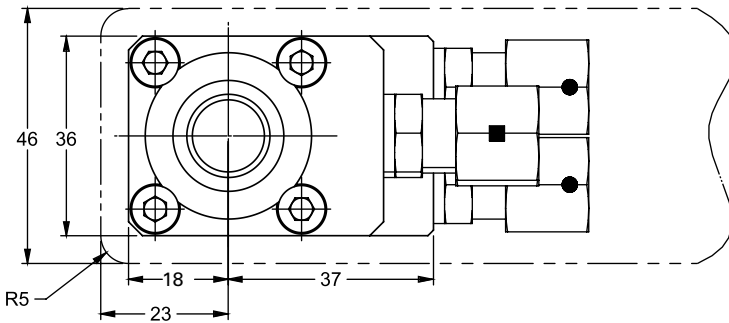
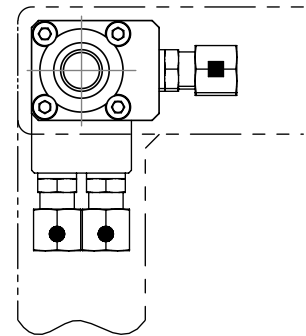
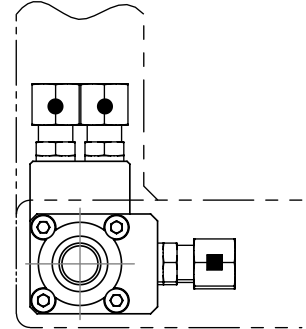
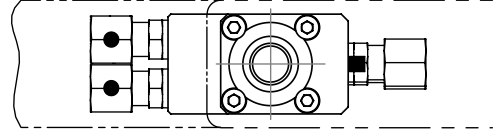


DV5/8/12 HEM



连接类型 / 継手方式 / Connecting Version



DV5 HEM

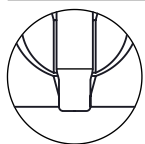
O (mm)	P _{max} (bar)
1,5	15 bar
1,2	15 bar
1,0	12 bar

DV8 HEM

O (mm)	P _{max} (bar)
2,0	25 bar
1,2	20 bar

DV12 HEM

O (mm)	P _{max} (bar)
3,5	60 bar
3,0	50 bar
2,5	40 bar
2,0	30 bar



DV5 HEM
P_{max}=15bar

DV8 HEM
P_{max}=25bar

DV12 HEM
P_{max}=60bar

● = Water / 水 / 水
■ = Oil / 油 / 油

P_{H20} max=10bar
Temp. 10° - 50° C

Q_{min}=V=4 L/min.
Max. 4 cooling units in line