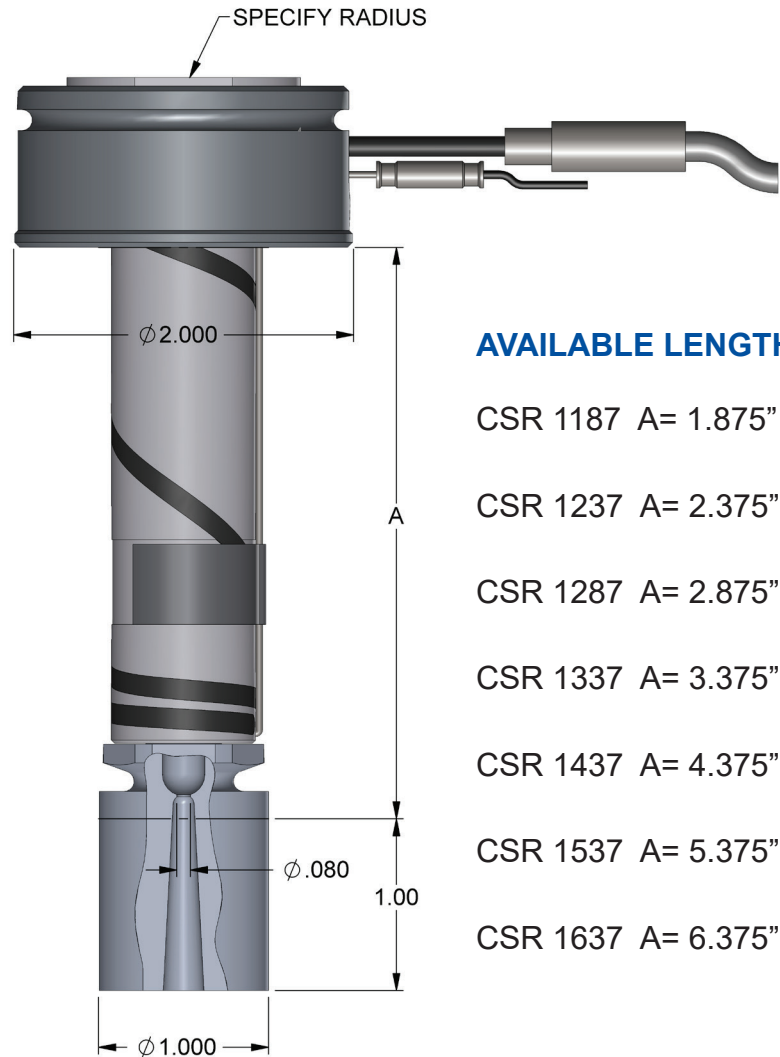


## CSR NOZZLE

The **CSR Nozzle** is a smart choice for replacing cold sprue nozzles in existing molds with 1" bores. This nozzle is available in seven standard lengths and recommended for small to mid-sized commodity resin parts only.

### FEATURES

- Engineered to minimize heat transfer to the mold
- External Thermocouple for easy replacement
- End Caps include 1" of extra stock
- Replaceable End Caps
- Standard gate size is 0.080"  
(also available in 0.085", 0.090", & 0.095")



### AVAILABLE LENGTHS

CSR 1187 A= 1.875"

CSR 1237 A= 2.375"

CSR 1287 A= 2.875"

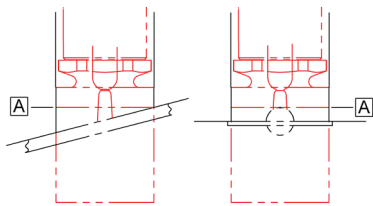
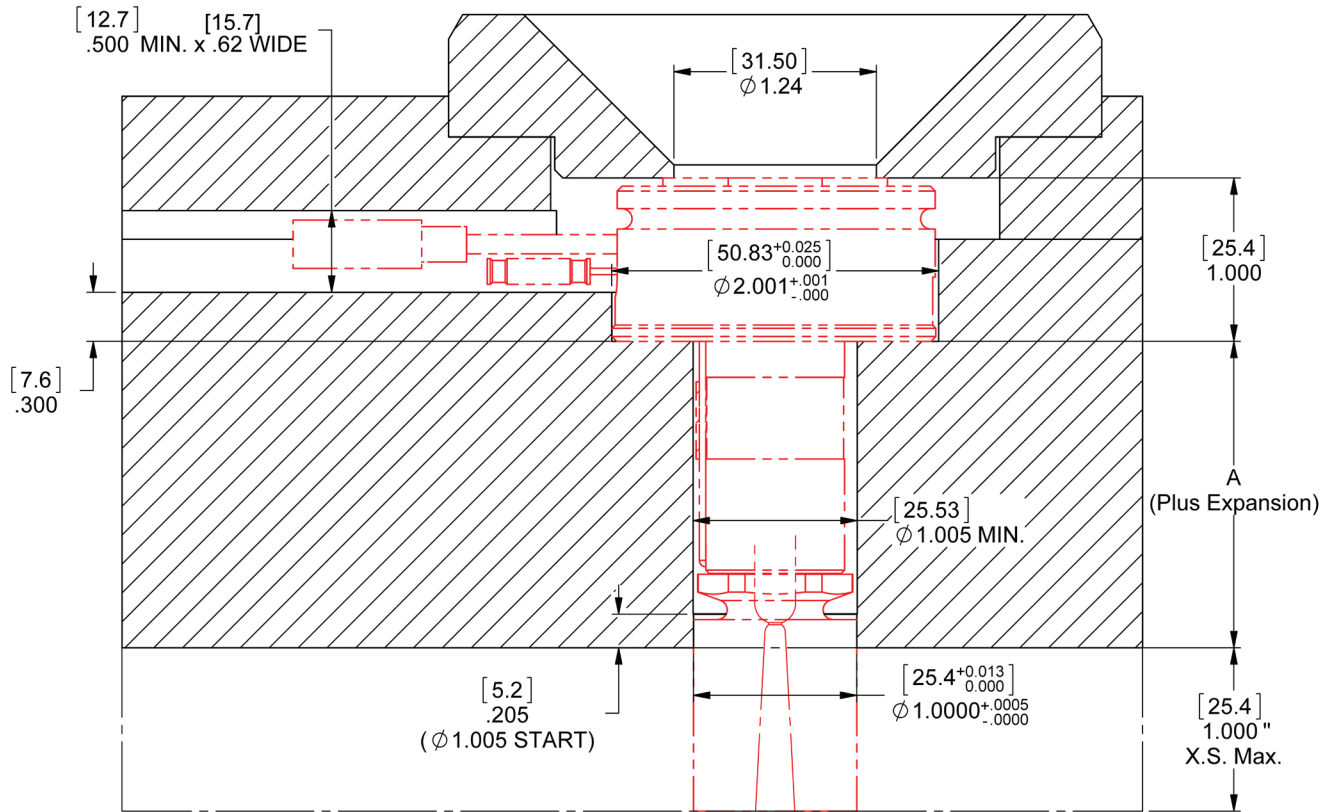
CSR 1337 A= 3.375"

CSR 1437 A= 4.375"

CSR 1537 A= 5.375"

CSR 1637 A= 6.375"

### COLD BORE DETAILS



Gating Examples

NOZZLE	"A"
CSR 1187	1.875 (47.6)
CSR 1237	2.375 (60.3)
CSR 1287	2.875 (73.0)
CSR 1337	3.375 (85.7)
CSR 1437	4.375 (111.1)
CSR 1537	5.375 (136.5)
CSR 1637	6.375 (161.9)

Nozzle Expansion: Nozzle length A (in.) x (Melt temp. - Mold temp°F) x 7.36 x 10<sup>-6</sup>

Example: A = 3.375" ΔT = 380F

3.375" x 380 x 7.36 x 10<sup>-6</sup> = .009"