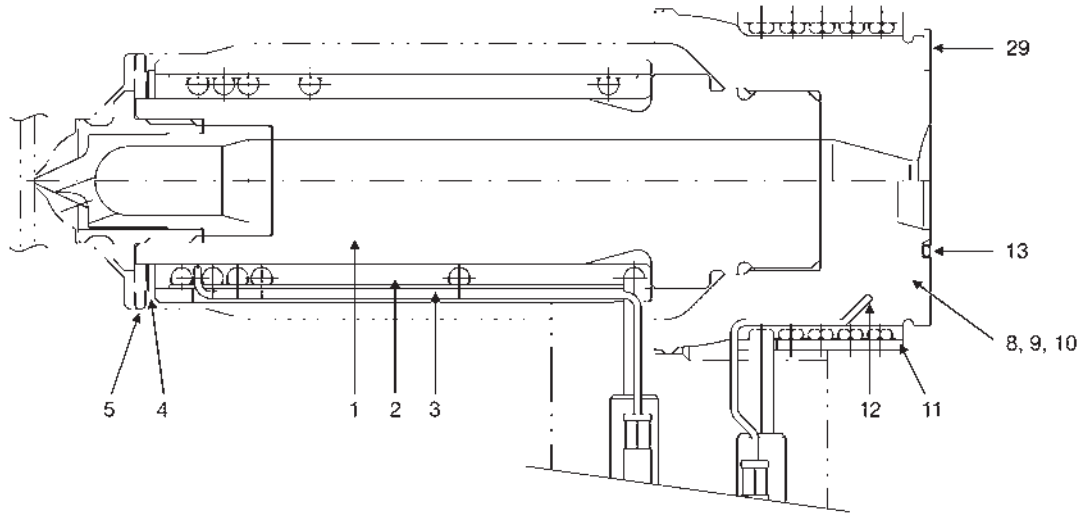




HOT RUNNER SYSTEMS

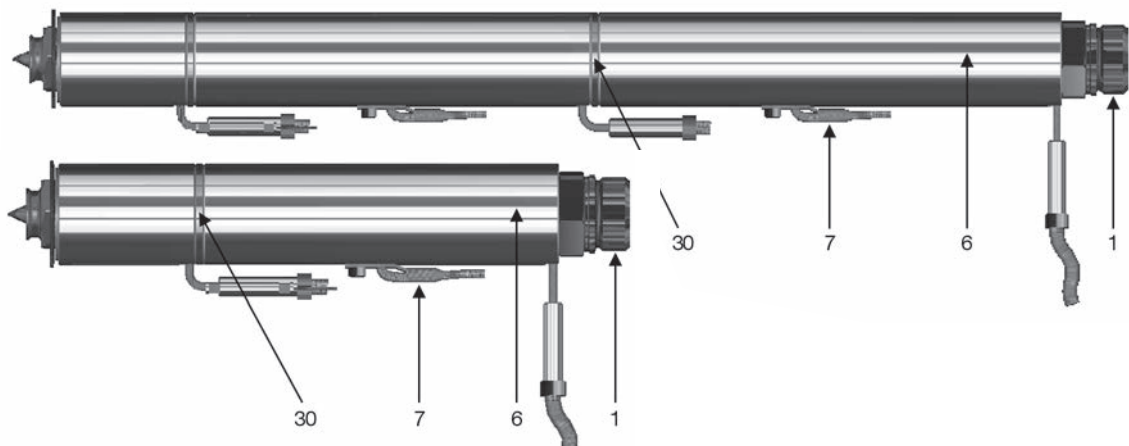
1.7 NOZZLES: PART LIST



Pos. Description

1	DS	Nozzle Body	6	MH	Multi-zone Heater	11	H	Head Heater
2	BH	Base Heater	7	MTC	Multi-zone TC	12	TC	Head TC
3	BTC	Base TC	8	R	Head with Radius	13		O-Ring
4	IR	Insulator	9	M	Head with O-Ring	29	IR	Head Insulator
5	CR	Guide Disk	10	E	Head with Extra Stock	30	SP	Spacer

DF-MZ



ORDER

Please specify: Pos., Description,
Nozzle Order Number, System Number.