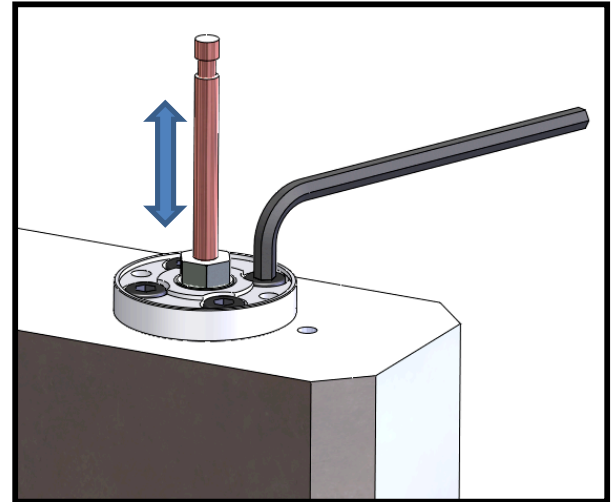
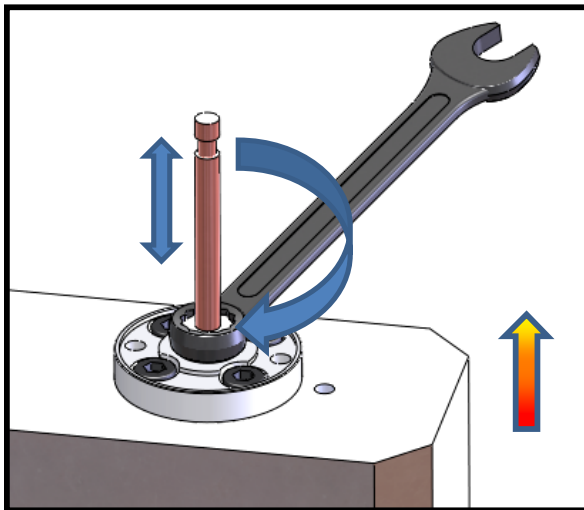


Partially screw seal into retainer ring on manifold
把衬套部分放入在流道板上的固定环中



Before adjustment make sure retainer ring is tight and pin moves freely in the sleeve seal. The sleeve seal pin should pass freely its full length.
在调节前请保证固定环是锁紧的，阀针是在衬套里畅顺动作的。而且是整支阀针都可以畅顺通过衬套。

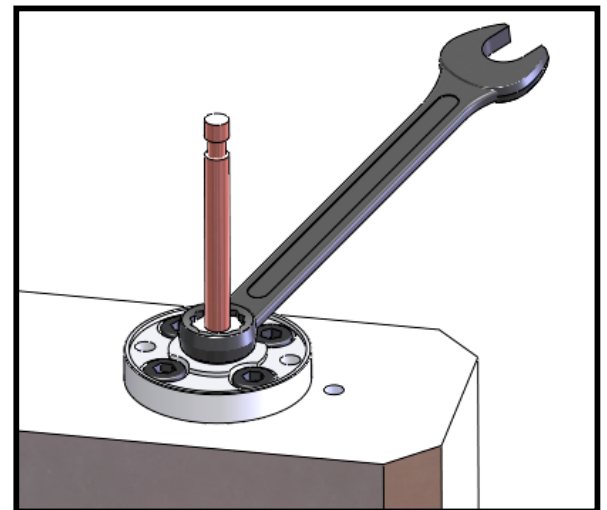


Heat manifold to operating temperature

加热流道板到设定温度。

Run pin up and down by hand while tightening sleeve seal until you can no longer move pin by hand. If plastic is present, the pin and sleeve seal will have to be removed and cleaned before pin can be properly adjusted. (proper safety precautions must be taken to prevent injury).

在锁紧衬套时用手上下抽动阀针，直到用手不能抽动为止。如果有塑胶，在调阀针之前，必须先清理干净胶料。（必须穿戴安全设备防止受伤）



Carefully loosen pin seal enough so that it is difficult to move by hand. This is the correct adjustment setting for the valve pin & seal. (turn off power to Manifold)

小心翼翼地松开阀针衬套，直到很难用手抽动阀针为止。这是正确的调节阀针和阀针衬套的方法。（关闭电源停止加热流道板）